

Features

- Universal input 90~264V DC
- Direct EURO fixed Plugtop Adapter
- Approved to TUV-GS, CE, RoHS & REACH
- IEC/EN 62368-1 Safety Approved
- Meets Efficiency Level VI & (EU) 2019/1782
- EMC Class B Certified
- Single Output 5-30V DC
- OVP, OCP, OTP, SCP



Ideal Power's 15DYS824-xyW-2-RS 24W AC/DC External Adapter EURO Plugtop Power Supply (PSU) Series are certified to TUV-GS, CE, RoHS, REACH & IEC/EN 62368-1 Standards and comply with (EU) 2019/1782, Level VI Efficiency Regulations. These are primarily used in ITE, Audio & Video Industries and customised solutions are available upon request.

Models

Model Number	Output Voltage (V dc)	Output Current (A)	Output Power (W)
15DYS824-050400W-2-RS	5	4	20

Input Data

	Min	Typical	Max	Units	Notes
Input Voltage	90	--	264	V AC	100-240VAC +/- 10%
Input Frequency	47	--	63	Hz	50-60Hz +/- 5%
Input Current	--	0.7	--	A	
Inrush Current	0	--	60	A	At cold start, 100 / 240V AC
Leakage Current	--	--	0.25	mA	

Output Data

	Min	Typical	Max	Units	Notes
Output Voltage	--	5	--	%	
Ripple & Noise	≤150mV				
Over Current Protection	Typically, 115-135% of Rated Current				
Short Circuit Protection	Continuous short circuit proof. Will recover if fault condition is removed				
Over Voltage Protection	Will recover if fault condition is removed				

Environmental Data

	Min	Typical	Max	Units	Notes
Operating Temperature	0		+40	°C	
Storage Temperature	-20		+80	°C	
Operating Humidity	10		90	°C	Operating 10% to 90%
Operating Humidity	5		95	°C	Storage 5% to 95%

Other Information

	Min	Typical	Max	Units	Notes
MTBF	--	50,000	--	hrs	At 80% load and 25°C
Weight					200 +/-10g
Dimensions					Refer to mechanical drawings
Isolation	Primary to Secondary: 4242VDC or 3000VAC / 5mA _{Max} / 60 second (3 seconds for mass production)				

EMC Emissions (2014/30/EU)

	Standard	Test Level	Criteria	Notes
Conducted	EN 55032	Pass	B	EMC Directive 2014/30/EU
Radiated	EN 55032	Pass	B	
Harmonic Standard	EN 61000-3-2	N/A	Class D	
Voltage Fluctuation and Flicker	EN61000-3-3		Pass	

EMC Immunity (2014/30/EU)

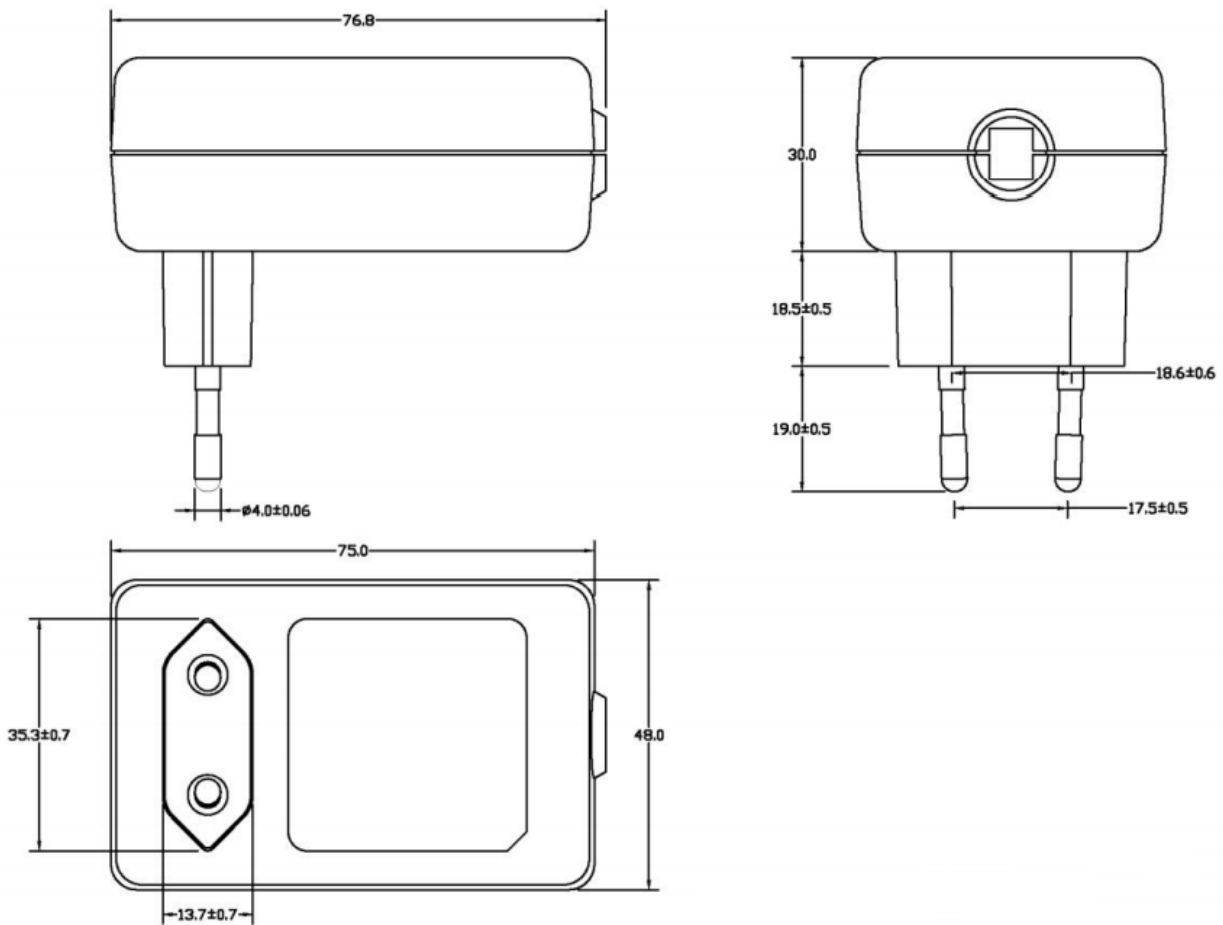
Test Item	Standard	Test Method	Test Level	Result
Electrostatic Discharge Immunity (ESD)	EN 55035:2017	EN 61000-4-2:2009	Contract Air $\pm 4kV$ $\pm 8kv$	Pass
Continuous RF electromagnet field	EN 55035:2017	EN 61000-4-2:2006 +A1: 2008 +A2:2010	3V/m 80% 1kHz AM	Pass
Electrical Fast Transient (EFT) on AC	EN 55035:2017	EN 61000-4-2:2012	AC $\pm 1.0kV$	Pass
Surge immunity on AC mains	EN 55035:2017	EN 61000-4-2:2014 +A1:2017	$\pm 1.0kV$ $\pm 2.0kV$ DM CM	Pass
Surge immunity on Signal port	EN 55035:2017	EN 61000-4-2:2014 +A1:2017	$\pm 1.0kV$ CM	N/A
Continuous induced RF disturbance (150Hz to 80MHz)	EN 55035:2017	EN 61000-4-6:2014	3Vrms (emf), 80%, 1kHz, Amp, Mod	Pass
Power Frequency Magnetic Field	EN 55035:2017	N/A	50 HZ 1A/m	N/A
Voltage dips and interruptions on AC	EN 55035:2017	EN 61000-4-11:2017	0%U _T *for 0.5per 0%U _T * for250per70%U _T *for25per	Pass

Safety Approvals

Safety Standards

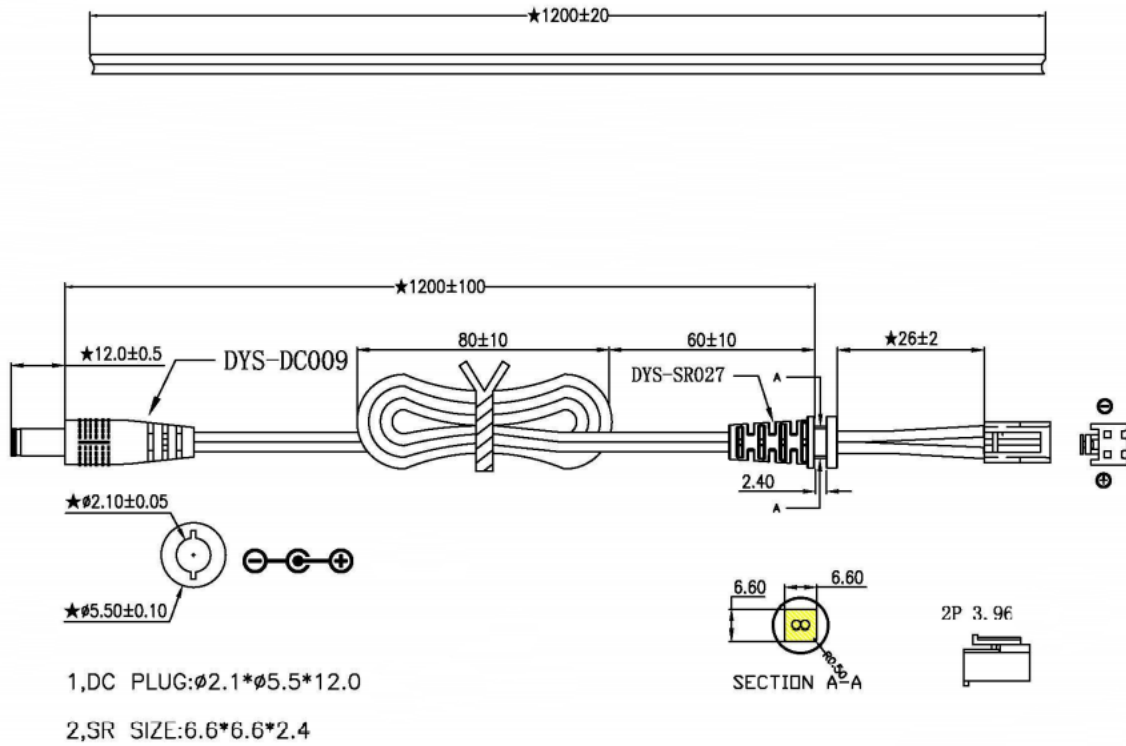
RoHS/REACH	RoHS Directive (EU) 2015/863 & REACH (205 SVHC)
CE LVD Directive 2014/35/EU	Yes (UK/European) – Only applicable for UK & EURO plugs.
cULus	Yes – Only applicable for US plug.
TUV	Yes (German/European) – Only applicable for EURO plug.
RCM & C-Tick	Yes – Only applicable for Australian plug.

Mechanical Drawing



AC – DC

Mechanical Drawing (Cord)



Mechanical Drawing (Plug)

